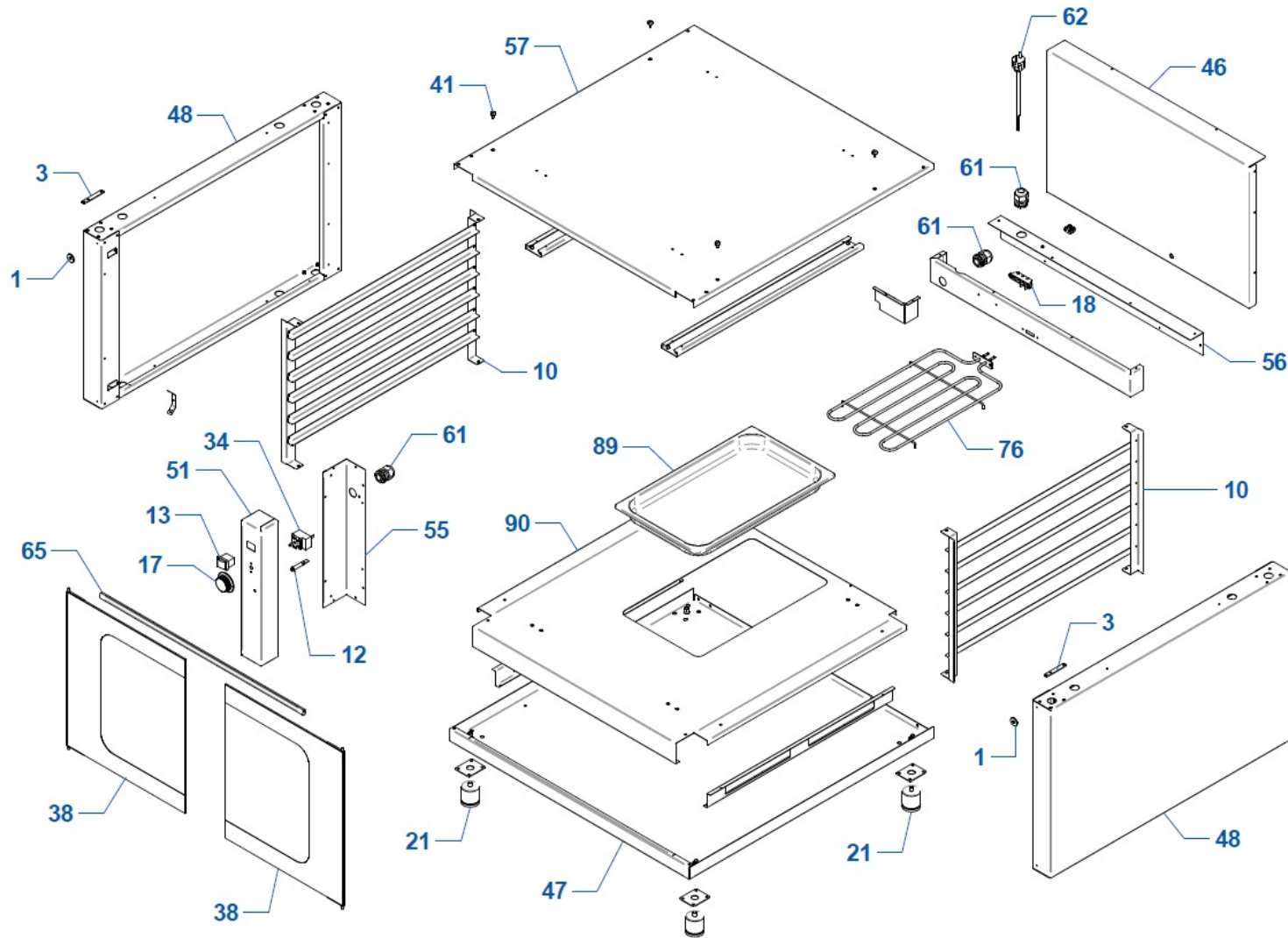


PL9012

- PROOFER12 TRAYS 600X400 - GN 1/1

(print on 16/06/2016)



| N | ITEM | N | ITEM |
|----|----------|---|------|
| 1 | CAL30002 | | |
| 3 | PIA30074 | | |
| 10 | GRI30040 | | |
| 12 | IND30002 | | |
| 13 | INT30003 | | |
| 17 | MAN30023 | | |
| 18 | MOR30005 | | |
| 21 | PIE30008 | | |
| 34 | TER30012 | | |
| 38 | VET00089 | | |
| 41 | VIT30042 | | |
| 46 | SCN00021 | | |
| 47 | FON30105 | | |
| 48 | FIA30054 | | |
| 51 | CRU60119 | | |
| 55 | CPR00015 | | |
| 56 | CPR00014 | | |
| 57 | CPR00012 | | |
| 61 | PPC30001 | | |
| 62 | CAV30014 | | |
| 65 | GUA30008 | | |
| 76 | RES30014 | | |
| 89 | LEC30017 | | |
| 90 | SUP30137 | | |

PL9012

- PROOFER12 TRAYS 600X400 - GN 1/1

| N | ITEM | DESCRIPTION (ENG) |
|----|----------|--|
| 1 | CAL30002 | MAGNETIC FIXING |
| 3 | PIA30074 | UPPER HINGE L600/800/912 |
| 10 | GRI30040 | LATERAL GRID PROOFER 912 |
| 12 | IND30002 | ORANGE LIGHT |
| 13 | INT30003 | ON/OFF BLACK SWITCH |
| 17 | MAN30023 | KNOB BLACK GRAD. 0-60° + FERRULE |
| 18 | MOR30005 | TERMINAL BLOCK 3 PIN |
| 21 | PIE30008 | PIEDINO X304 D.52MM H35MM C/VIT M10X25 |
| 34 | TER30012 | THERMOSTAT 0°-60° PROOF.TU-VST T80 16A |
| 38 | VET00089 | COMPLETE DOOR-GLASS PROOFER L912 |
| 41 | VIT30042 | DEFLECTOR SCREW M5 |
| 46 | SCN00021 | BACK SIDE PROOFER 912 |
| 47 | FON30105 | BOTTOM PROOFER 912 |
| 48 | FIA30054 | LATERAL PANEL PROOFER 912 |
| 51 | CRU60119 | FRONTAL PANEL PROOFER |
| 55 | CPR00015 | FRONTAL PANEL COVER 600-912 |
| 56 | CPR00014 | COVER FOR HEATING EL. HOLDER 912 |
| 57 | CPR00012 | TOP PROOFER 912 |
| 61 | PPC30001 | CABLE GLAND M25x1,5 + NUT |
| 62 | CAV30014 | CABLE |
| 65 | GUA30008 | PROOFER GASKET |
| 76 | RES30014 | HEATING ELEMENT 230/240V-2000W |
| 89 | LEC30017 | STAINLESS STEEL TRAY 530X325X40 - GN 1/1 |
| 90 | SUP30137 | WATER BOX HOLDER FOR L912 |

| N | ITEM | DESCRIPTION (ENG) |
|---|------|-------------------|
|---|------|-------------------|